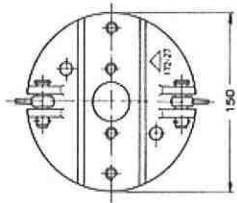


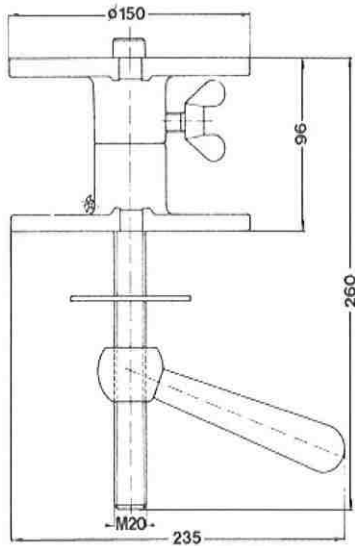
Fixture mounting plate

Name: **BN 155** Partnumber: **N12-295**

According DIN 15560

To mount it on a
Sockelstativ (with or without spindle) or a standplate





Rotatable base (Socketstand) with spindle

Name: **SO 153** Partnumber: **N12-261**

To mount it on top of two parallel C-profile steel

To mount a BN155 (fixture mounting plate)



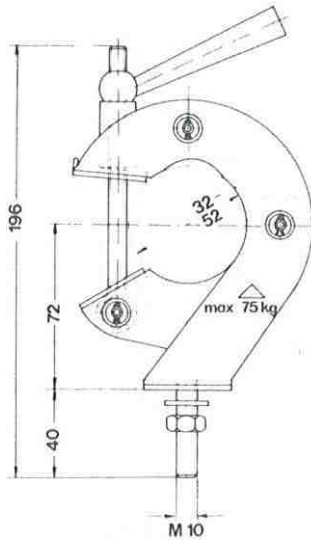


Standplate with DIN-pin

Name: **BF 155** Partnumber: **N12-310**

To mount it on top of a stand equipped with a DIN socket (28mm)

To mount a BN155 (fixture mounting plate)

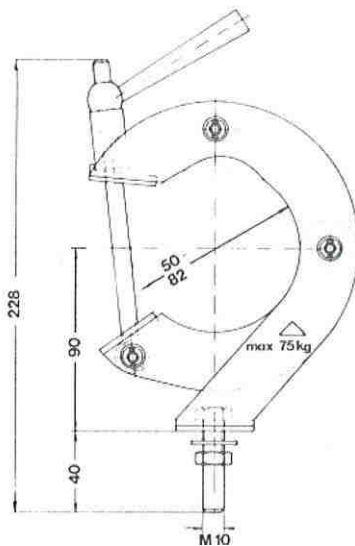


Hookclamp

Name: **RC 50** Partnumber: **N10-158**

To mount it on tubes with a diameter from 32-52mm

max. load 75kg

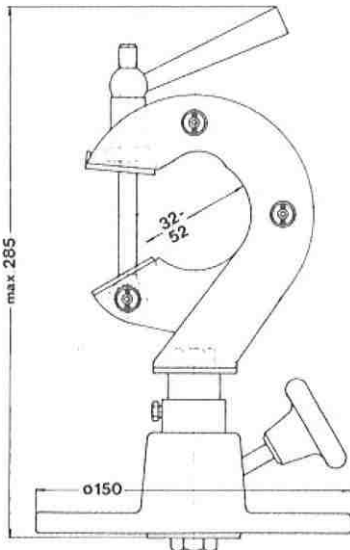


Hookclamp

Name: **RC 80** Partnumber: **N10-083**

To mount it on tubes with a diameter from 50-80mm

max. load 75kg



Hookclamp with turnable fixture plate

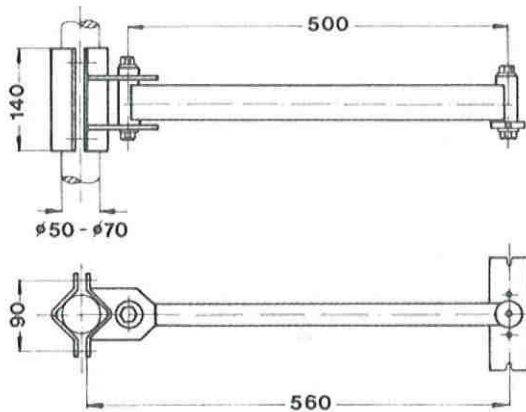
Name: **DS 85** Partnumber: **N12-279**

Turnable for 32-52mm tube

Also available as DS 88 for 50-80mm tube (N12-287)

To mount a BN155

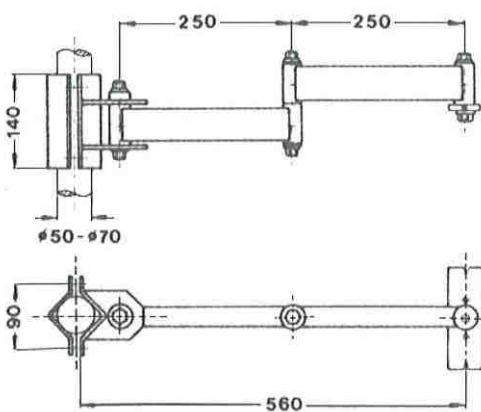
max. load 75kg



Fixture mounting arm

Name: **SA 501** Partnumber: **N12-386**

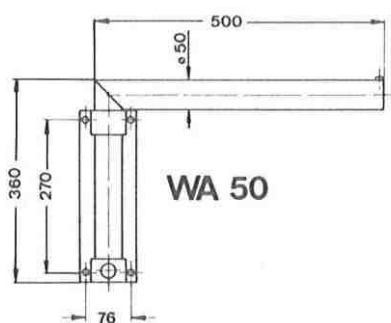
One hinge, arm 1 x 500mm
To mount a fixture plate BN 155 (fixture mounting plate)
max. load 50kg



Fixture mounting arm

Name: **SA 252** Partnumber: **N12-378**

Two hinges arms 2 x 250mm
To mount a fixture plate BN 155 (fixture mounting plate)
max. load 50kg



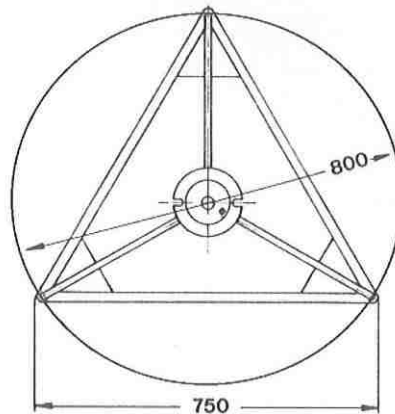
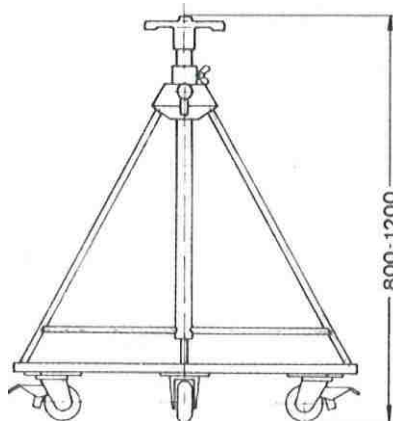
Fixture arm

Name: **WA 50** Partnumber: **N12-352**

One hinge, arm 1 x 500mm
Tube diameter: 50mm
To use it with hook clamps

max. load 50kg

Followstands for HZU 2508 (D), MZU 106(D), MZU 256 (D)



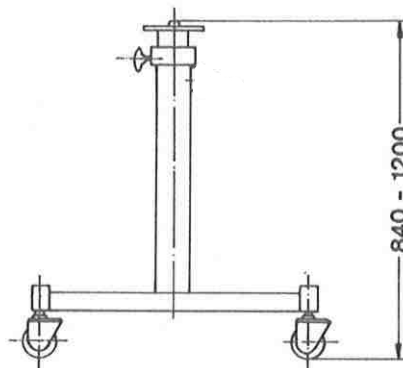
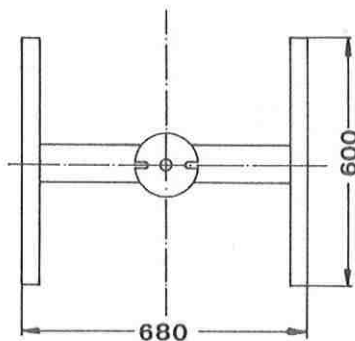
Followstand

Name: **ST 123**

Partnumber: **N11-784**

stiff 3-leg stand

3 wheels lockable



Followstand

Name: **ST 124 H**

Partnumber: **N11-966**

stiff 4-leg stand

adjustable with two
2 locking ring,
without crank

4 wheels lockable

4 x height adjustable
stabilizer

12,3kg (stanfoot) +
12,5kg(standtube)
total: 24,8kg



Goboholder

Name: **GH 100** Partnumber: **N12-910**

Goboholder for metallgobos size A
Usable for ALL Niethammer Zoomprofile and Follows
Usable for „D“ „X“ Version and older fixtures