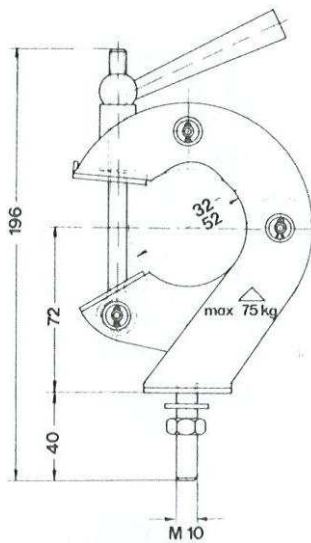
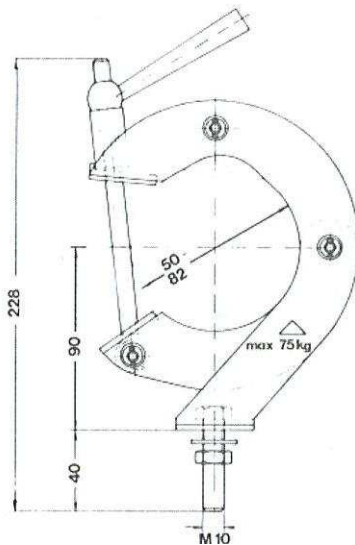


# ACCESSORIES EMIL NIETHAMMER



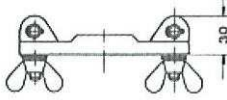
Hook Clamp  
**RC 50**

- for Ø 32 to 52 mm tubes
- max. Load 75kg

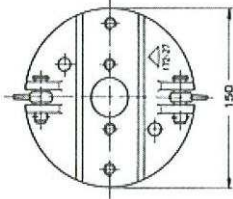


Hook Clamp  
**RC 80**

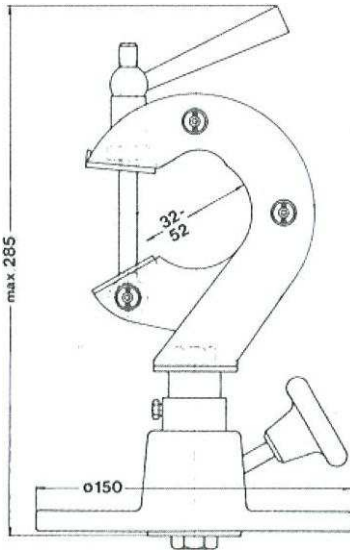
- for Ø 50 to 80 mm tubes
- max. Load 75kg



Luminaire basic plate  
**BN 155 (SP)**

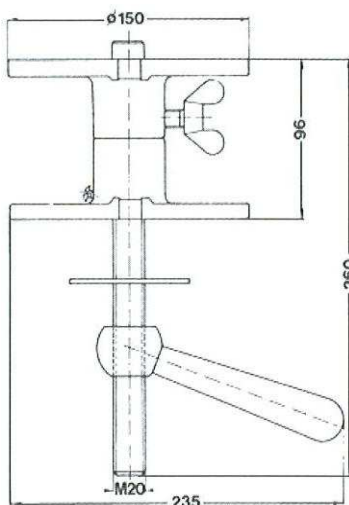


- corresponding DIN 15560
- to clamp with a rotatable base (with or without spindle)



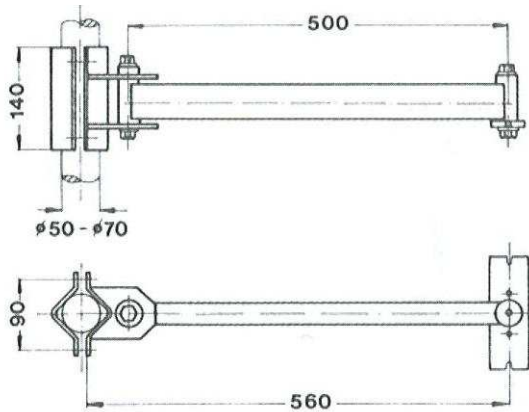
Hook Clamp  
**DS 85**

- with rotatable base
- for  $\varnothing$  32 to 52 mm tubes (DS 88 for  $\varnothing$  50 to 80 mm tubes)
- for using with an BN155
- max. Load 75kg



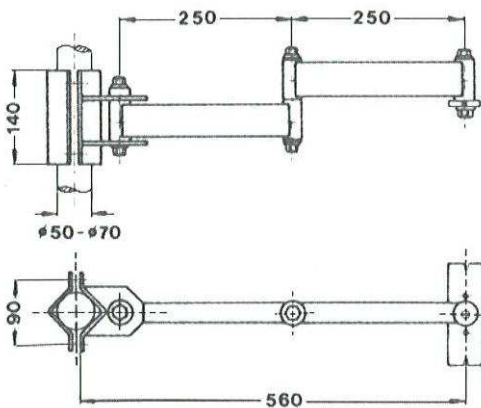
Rotatable base with spindle  
**SO 153 (SOP)**

- for  $\varnothing$  32 to 52 mm tubes
- for using with an BN155
- max. Load 75kg



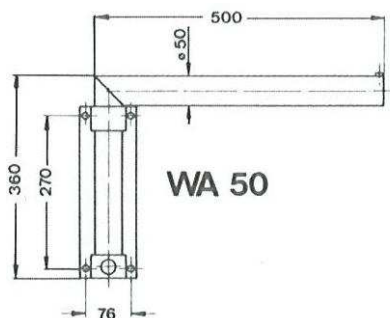
Swivel Arm  
**SA 501**

- one kinematic pair
- max. Load 50kg



Swivel Arm  
**SA 252**

- two kinematic pairs
- max. Load 50kg

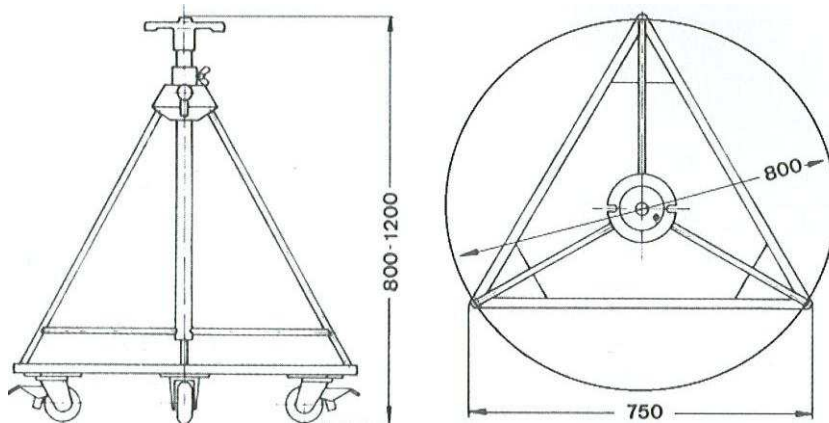


Swivel Arm for Wallmounting  
**WA 50**

- one kinematic pair
- max. Load 50kg

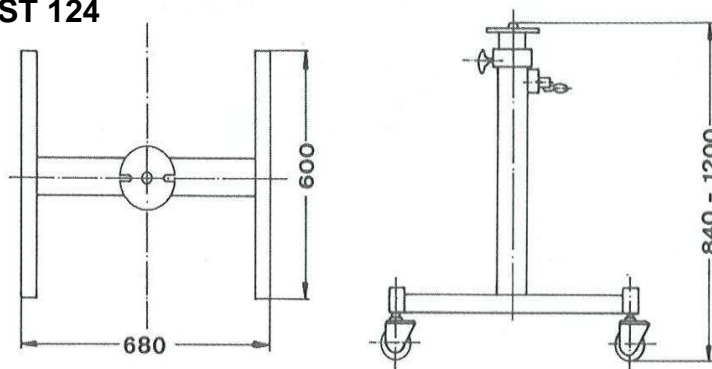
Stand for Followspots, like HZU 2508 (D), MZU 106(D), MZU 256 (D)

Stand for Followspot  
**ST 123**



- stable 3-legged Stand (tripod)
- with lockable wheels

Stand for Followspot  
**ST 124**



**ST 124 H**  
such as ST124,  
but highed-adjustment  
by 2 clamping rings,  
without crank

- stable 4-legged stand
- height adjustment by crank
- with lockable wheels
- 4 x height-adjustable stabilizer